

Entregar el dia 27 Jun 17 8:00 AM Materiales para 1 casa Randy Strong-Ken Houp N.CA. MEXICO GOTEA

1 Natividad Garcia Madrigal Manzana 34 Lote 19 Colonia Union Antorchista
GPS: [32.484688,-116.804821](https://www.google.com/maps/place/32.484688,-116.804821) Calle Tecomatlan Telefono 6645322307

Table Sets Raw Material For 3 table sets Including 6 benches
12 [2x6x10'](#)
6 [2x4x10'](#)
6 [2x4x8'](#)
6 [2x12x8'](#)

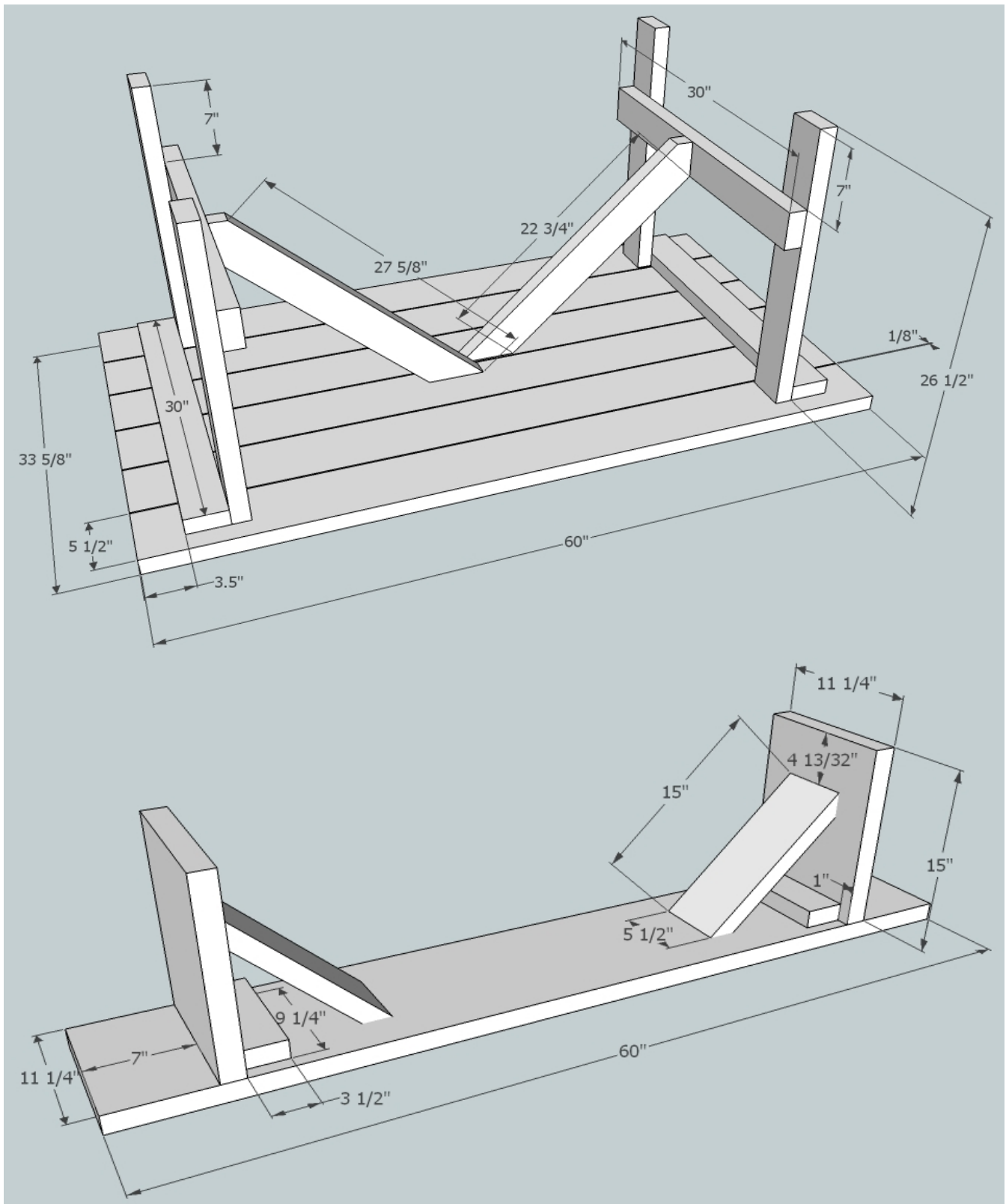
Tables & Benches Pre-Cut Lumber For 3 table sets 6 benches
18 2x6x60 (table & bench tops)
12 2x4x30 (table top & leg braces)
12 2x4x26-1/2 (table legs)
6 2x4x27-5/8 w/ 45 degree end cuts - See Drawings (Table Angle Braces)
6 2x12x60 (Bench Tops)
12 2x12x14-1/2 (bench legs)
12 2x6x15 with 45 degree mitered ends - See Drawings(Bench Angle Braces)
12 2x4x9-1/4 (bench top & leg braces)

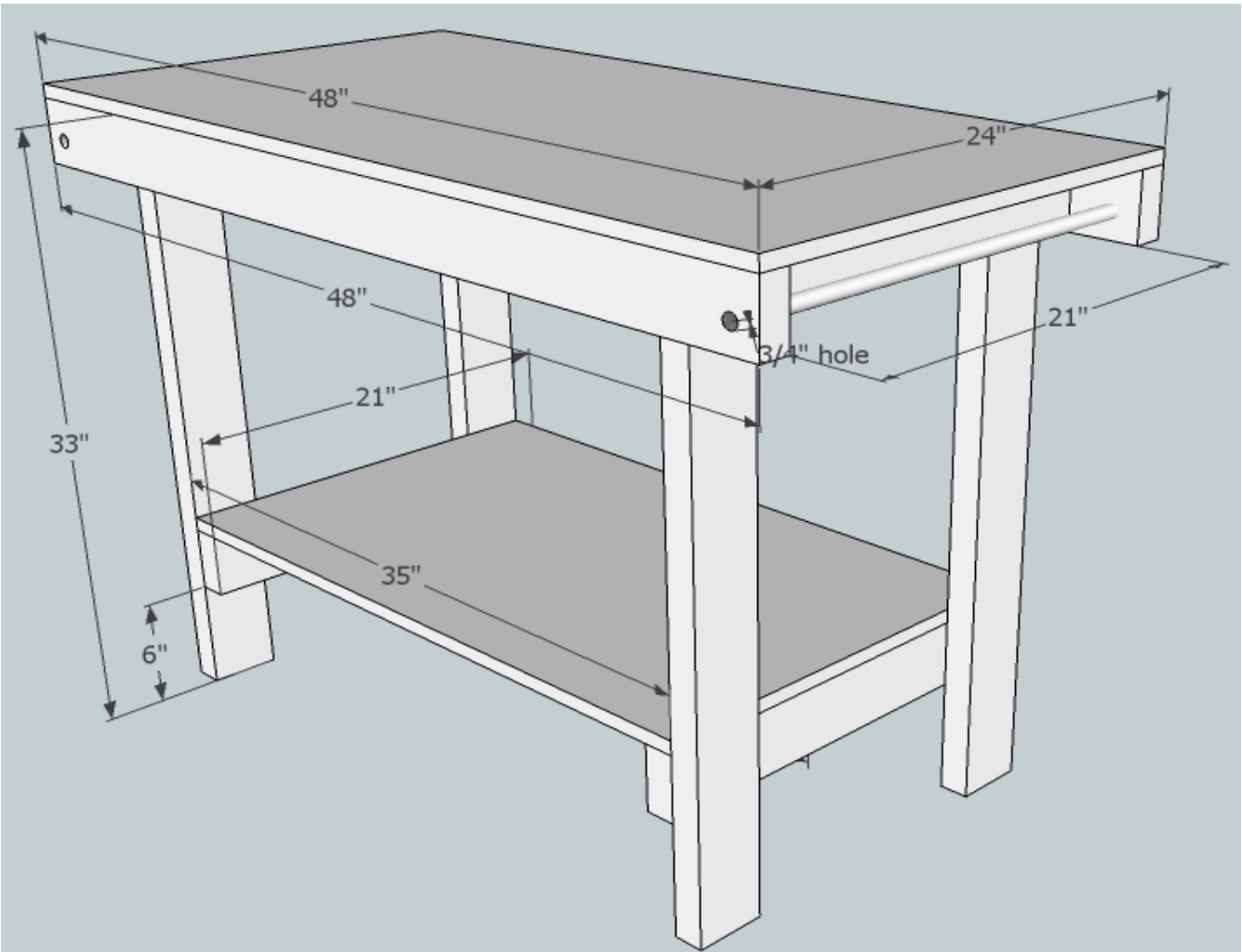
Bunks Raw Material For 3 bunk sets
17.25 [2x4x12'](#)
6 [4x8x3/4" Plywood](#)

Bunks Pre-Cut Lumber For 3 bunk sets
15 2x4x72 (long rails & guard rails)
12 2x4x27 (short rails)
12 2x4x60 (Bunk Legs)
12 2x4x30 (rungs)
6 29-7/8 x 71-7/8 x3/4 Ply (bunk tops NEED ONE CLEAN & SMOOTH SIDE) See Plywood Cut Drawing
3 14-1/4x75x3/4 Ply See Plywood Cut Drawing

Prep Tables Raw Material For 3 Prep Tables
6 [2x4x12'](#)
3 [1" x 4' wood dowel](#)
2 [2x4x8'](#)

Prep Tables Cut List For 3 Prep Tables
6 2x4x48 (long top braces)
12 2x4x33 (Prep TableLegs)
12 2x4x21 (short top and leg braces)
3 24 x 48 x 3/4 Plywood (Cross-Cut ends of bunk ply 2)
3 21 x 34-15/16 x 3/4 Plywood (Cross-Cut ends of bunk ply 1)
6 1 x 23-15/16 Dowel (towel bars)
3 2x4x32 (Shelf Braces)





One of Two Sheets for Bunk

