

# CASA DE DIOS



## **Construction Plans**

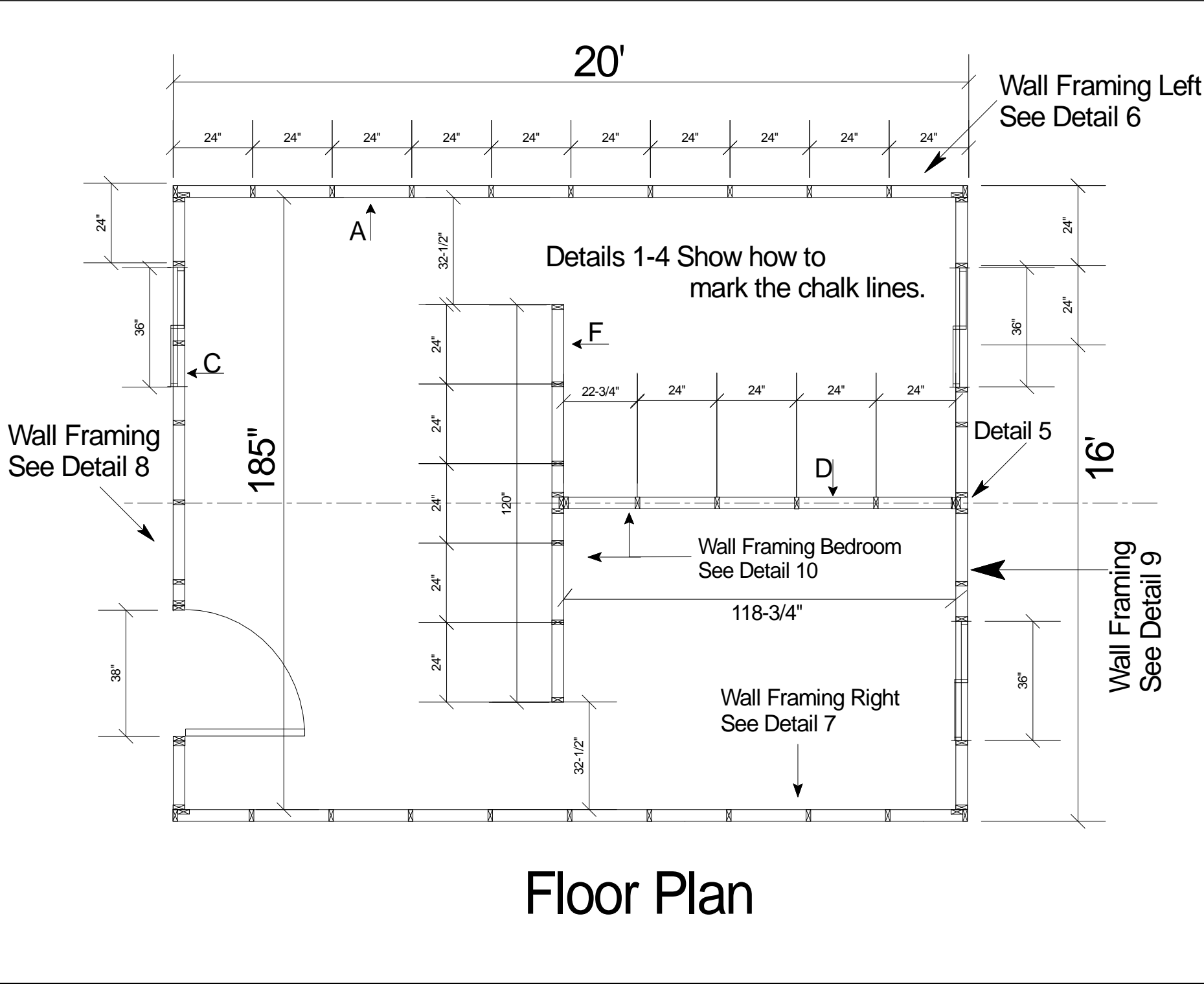


## Casa de Dios Cut List

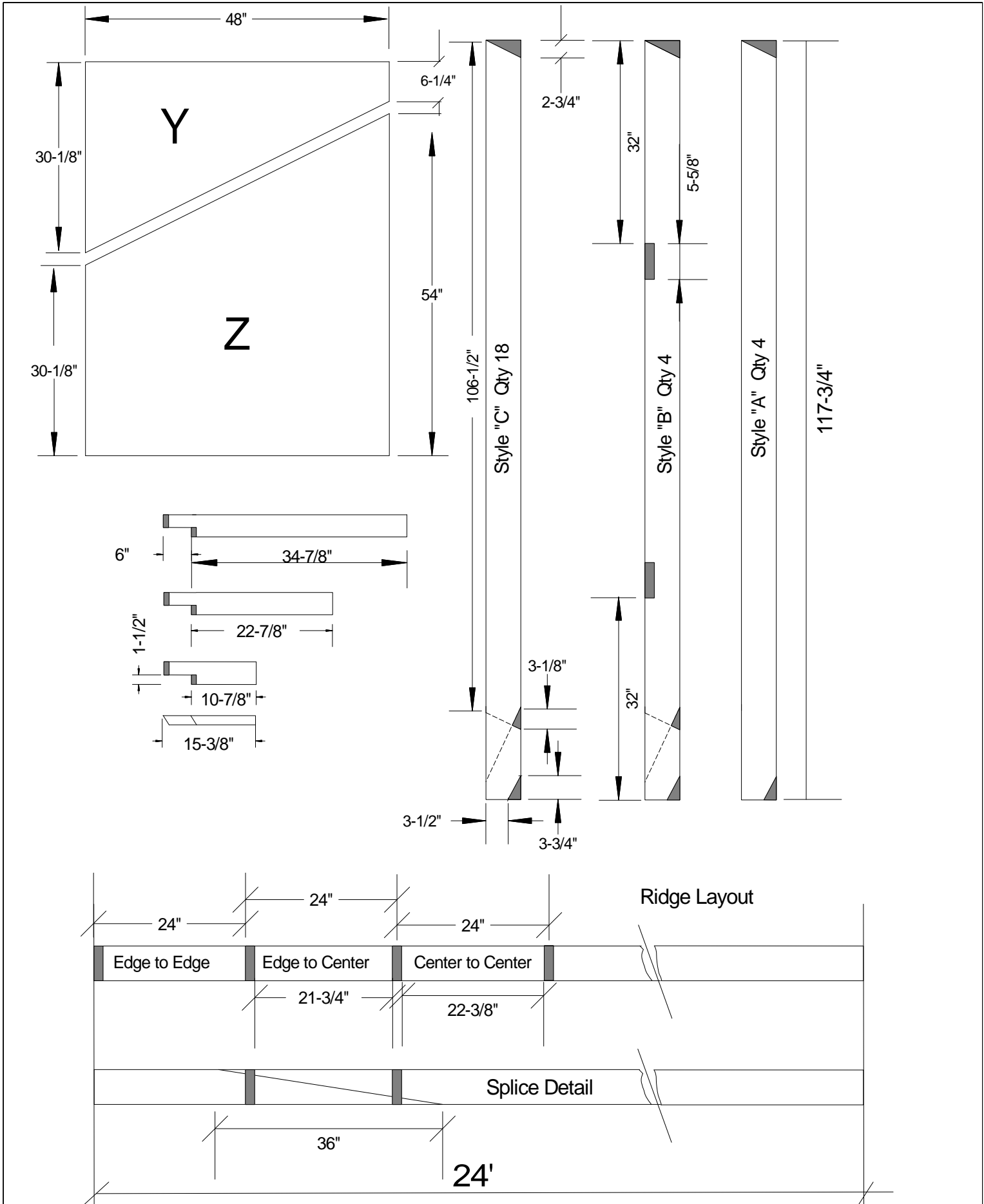
Legend	Qty	Dimension	Location/Description
A	4	2"x 4" x 20'	Long Wall Top and Bottom Plate
B	4	2"x 4" x 185"	Short Wall Top and Bottom Plate
C	3	2"x 4" x 16'	Top Plates Short Walls
D	4	2"x 4" x 118-3/4"	Bedroom Top Plate/Center Wall Top/Bottom Plate
E	2	2"x 4" x 110-3/4"	Top Plates Long Walls
F	2	2"x 4" x 10'	Bedroom Top/Bottom Plate
G	55	2"x4"x92-1/4"	studs walls
H	9	2"x 4" x 36"	Window Frames/Cripples
I	3	2"x 4" x 17-1/4"	Window Top Cripple
I	3	2"x 4" x 17-1/4"	Window Top Cripple
J	6	2"x 4" x 79"	Interior Wall Studs
K	1	2"x 4" x 41"	Door Header
L	4	2"x 4" x 10-1/8"	Door Cripple
H	2	2"x 4" x 36"	Headers bedroom Door
L1	4	2"x 4" x 11-3/4"	Door Cripple Center Wall
M	2	2"x4"x80-1/2"	Door stud
N	2	2"x 6" x 117-1/4"	Ledger Bedroom/Loft
O	5	2"x 6" x 182"	Bedroom Ceiling Joists
O1	1	2"x 6" x 16'	Bedroom Ceiling Joists
J1	2	48" x 96"	3/4" Plywood Loft
K1	1	48"x 94-1/2"	3/4" Plywood Loft
L1	1	40-3/4" x 94-1/2"	3/4" Plywood Loft
M1	2	22-1/2"x 48"	3/4" Plywood Loft
N1	1	24"x 48"	3/4" Plywood Loft
P1	1	24"x 40-3/4"	3/4" Plywood Loft
P	1	2"x 6" x 24'	Roof Ridge
Q	4	2"x 6" x 10'	Rafter - Fascia "A"
R	4	2"x 6" x 10'	Rafter - End Wall "B"
S	18	2"x 6" x 10'	Rafter - Common "C"
T	8	2"x 6" x 45-3/4"	Roof Lookouts
U	8	2"x 6" x 22-1/2"	Pressure/Bird Blocks Roof
U1	8	2"x 6" x 22-3/8"	Pressure/Bird Blocks Roof
V	4	2"x 6" x 21-3/4"	Pressure/Bird Blocks Roof Ends
W	4	4' x 4'	1/2" Plywood Roof Sheating
X	6	2' x 8'	1/2" Plywood Roof Sheating
Y	4	48" x 6-1/4" x 30-1/8"	1/2" Plywood Endwall
Z	4	48" x 30-1/8" x 54"	1/2" Plywood Endwall
A1	1	2"x 4" x 46-7/8"	Center Cripple Roof Stud
B1	4	2"x 4" x 10-7/8" – 15-3/8"	End Wall Roof Cripple
C1	4	2"x 4" x 22-7/8" – 29"	End Wall Roof Cripple
D1	4	2"x 4" x 34-7/8" – 40-3/4"	End Wall Roof Cripple
E1	4	2"x 4" x 12'	Fascia
F1	2	2"x 4" x 46-1/2"	Window Loft Frames/Cripples/Headers
G1	2	2"x 4" x 24"	Window Loft Frames/Cripples
H1	1	2"x 4" x 14-1/8"	Window Loft Top Cripple
I1	1	2"x 4" x 5-3/4"	Window Loft bottom Cripple

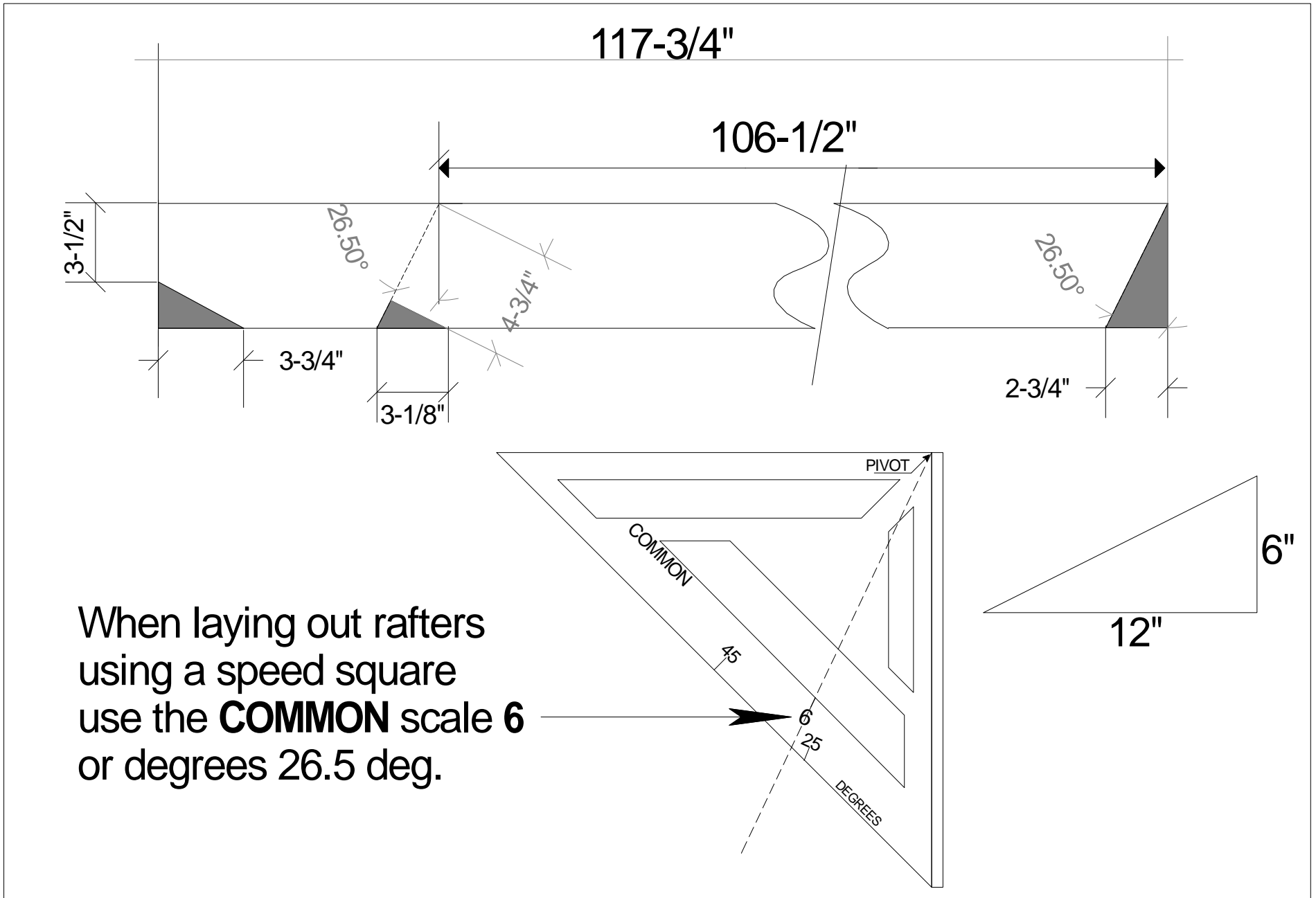
Notes: Verify ALL measurements!

Check ALL windows and doors **PRIOR** any cutting! Measure twice! Cut Once!

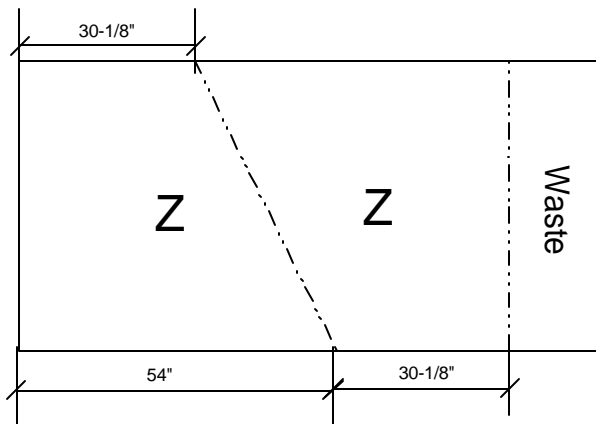


**Floor Plan**

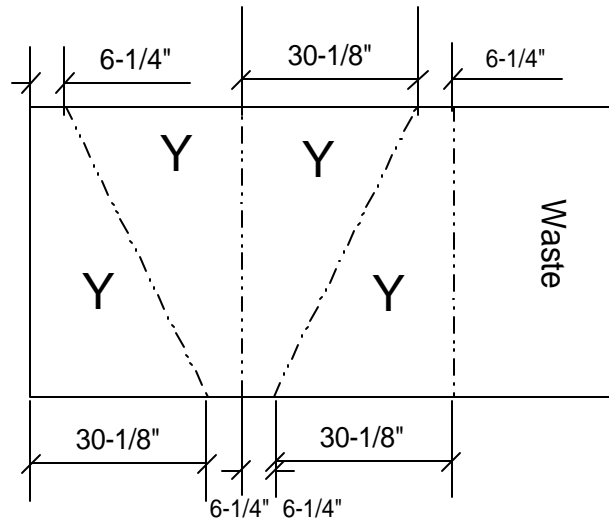




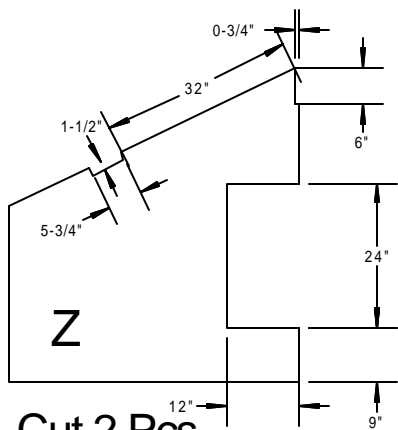
When laying out rafters using a speed square use the **COMMON** scale 6 or degrees 26.5 deg.



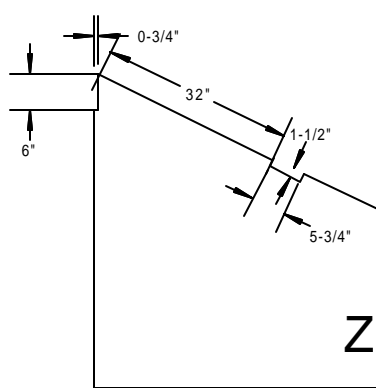
Make 4 letter Z's - 2 full sheets required



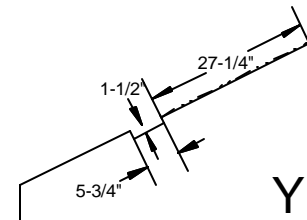
Make 4 letter Y's - 1 full sheet required



Cut 2 Pcs

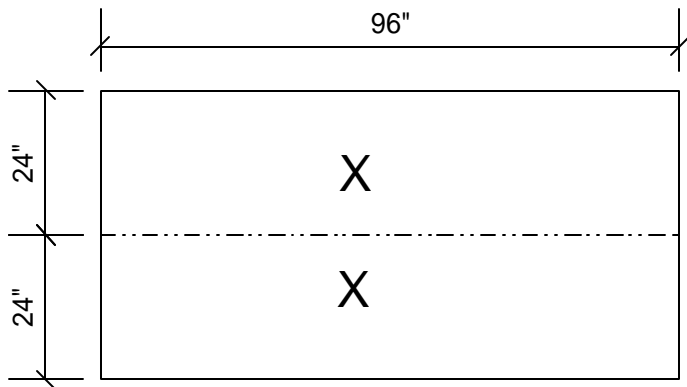


Cut 2 Pcs

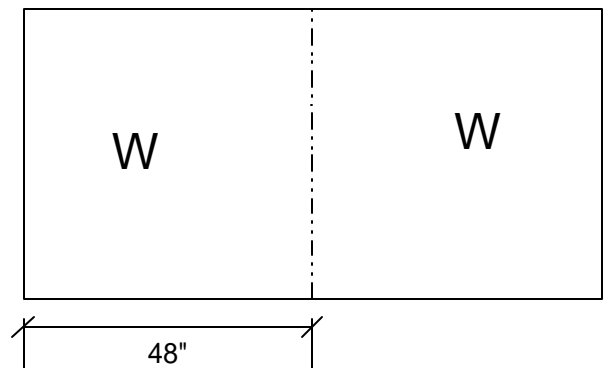


Cut 4 Pcs

Gable Endwall Plywood - Detail Cuts

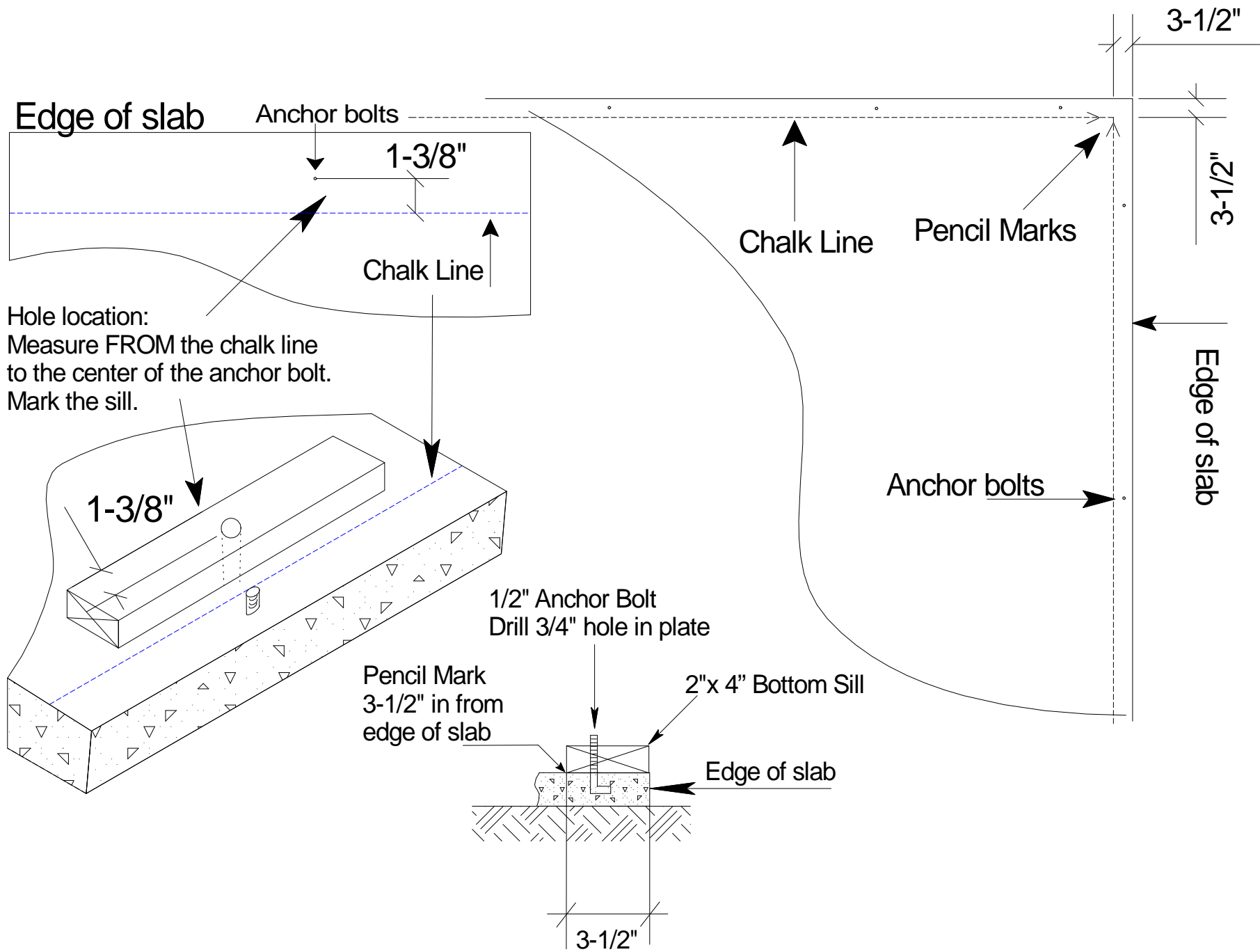


Make 6 letter X's - 3 full sheets required



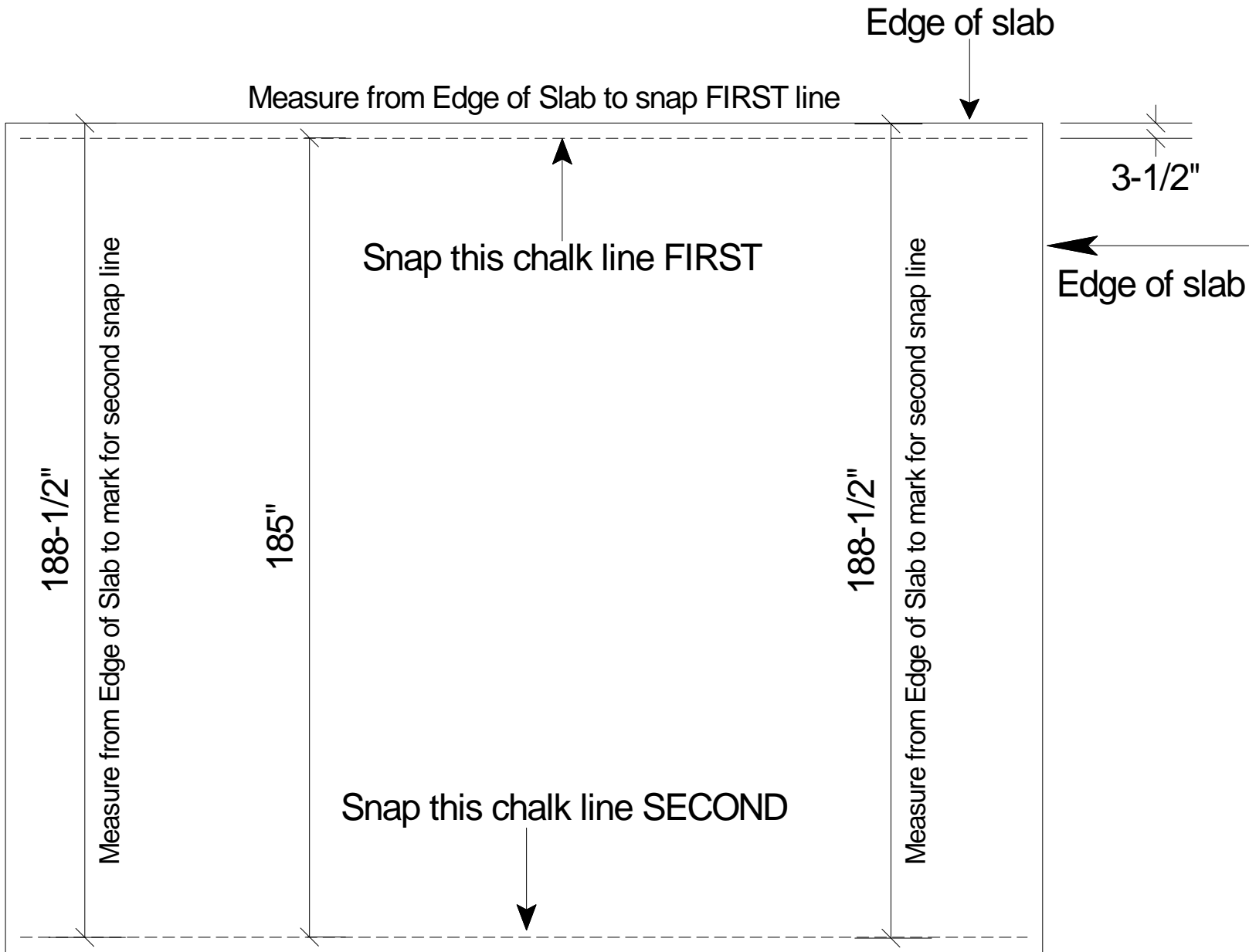
Make 4 letter W's - 2 full sheets required

Roof Plywood Cutting Diagram



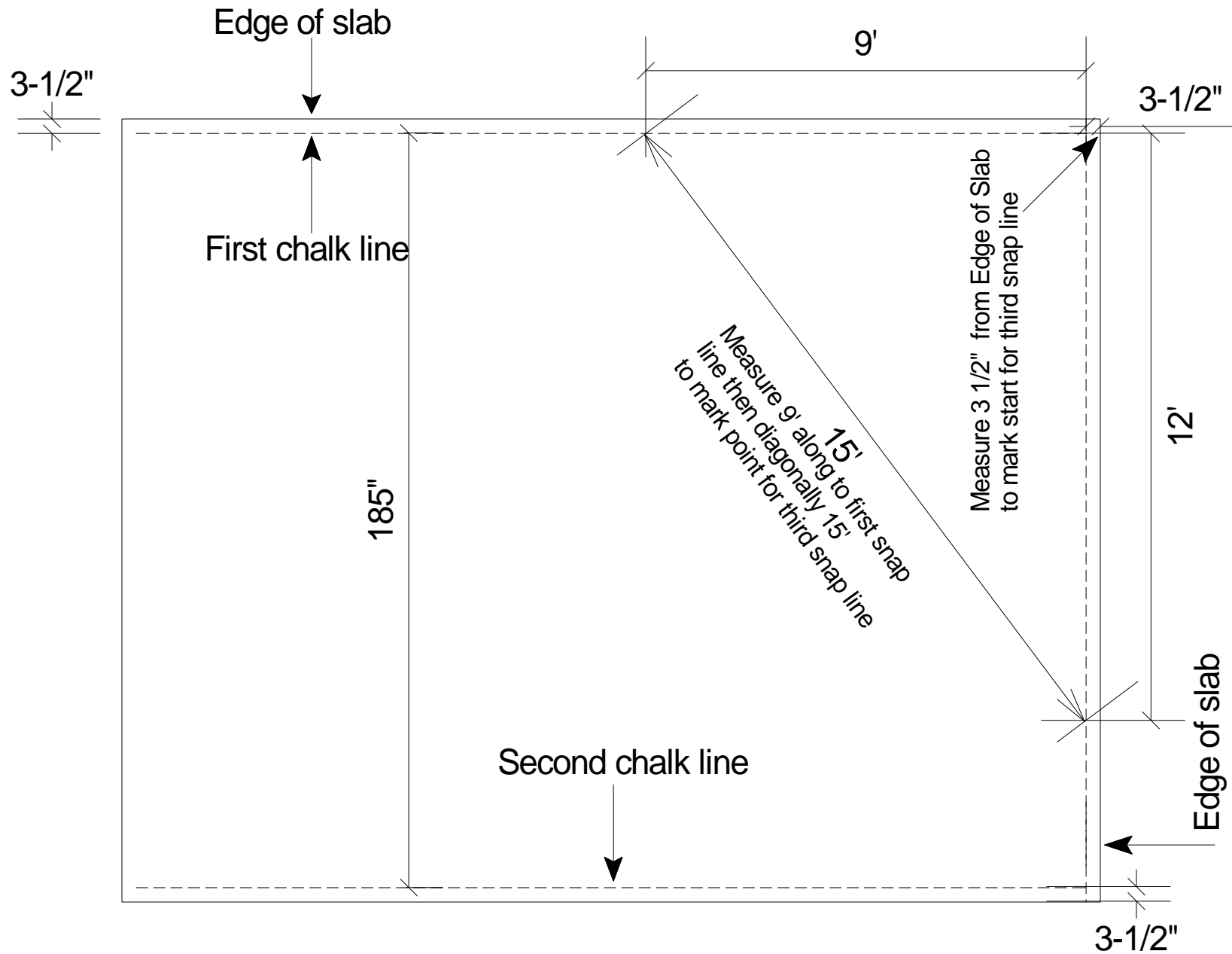
Detail 1 Layout - Marking - Chalk Lines

3-1/2"

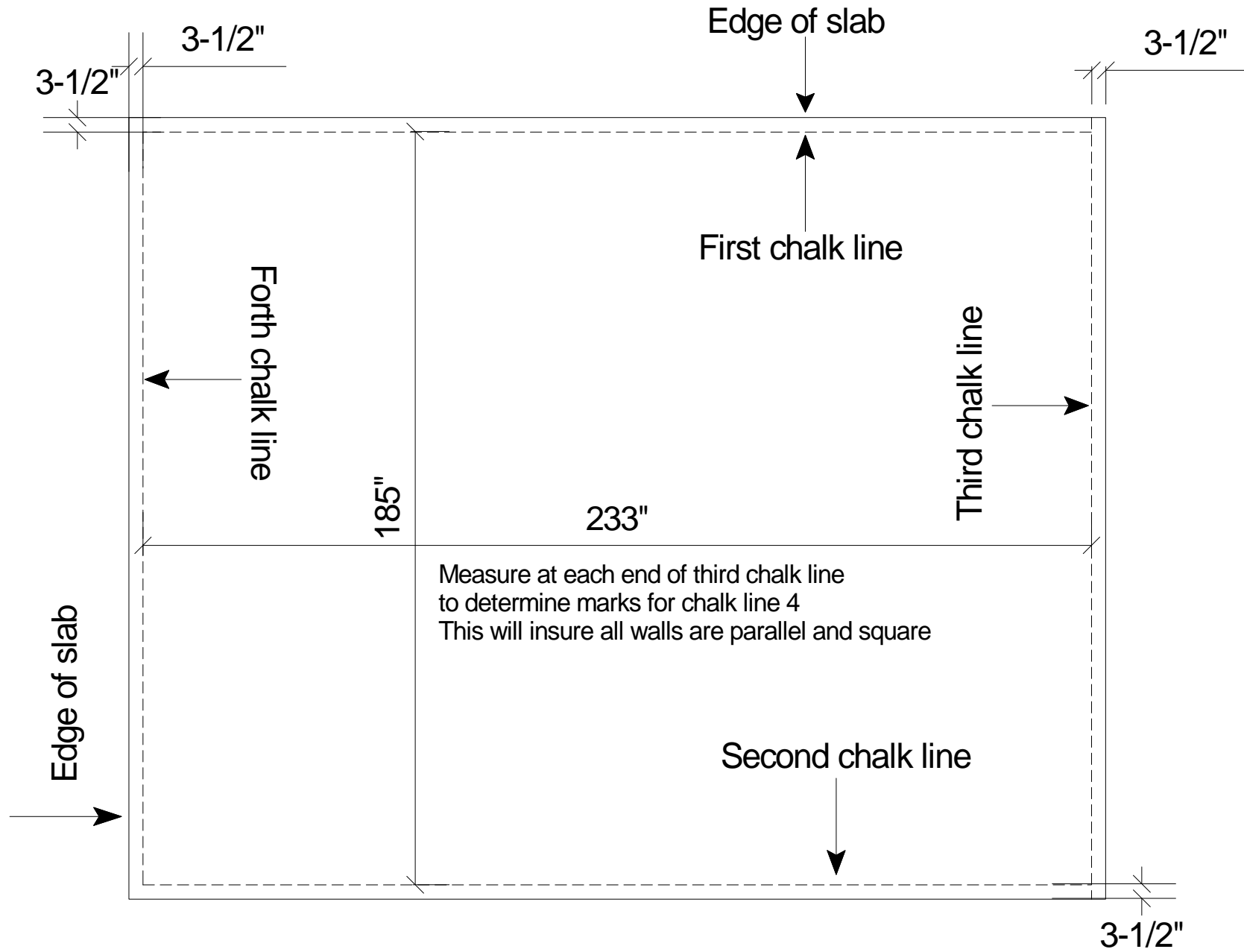


Detail 2 - Layout Lines - Long Walls First



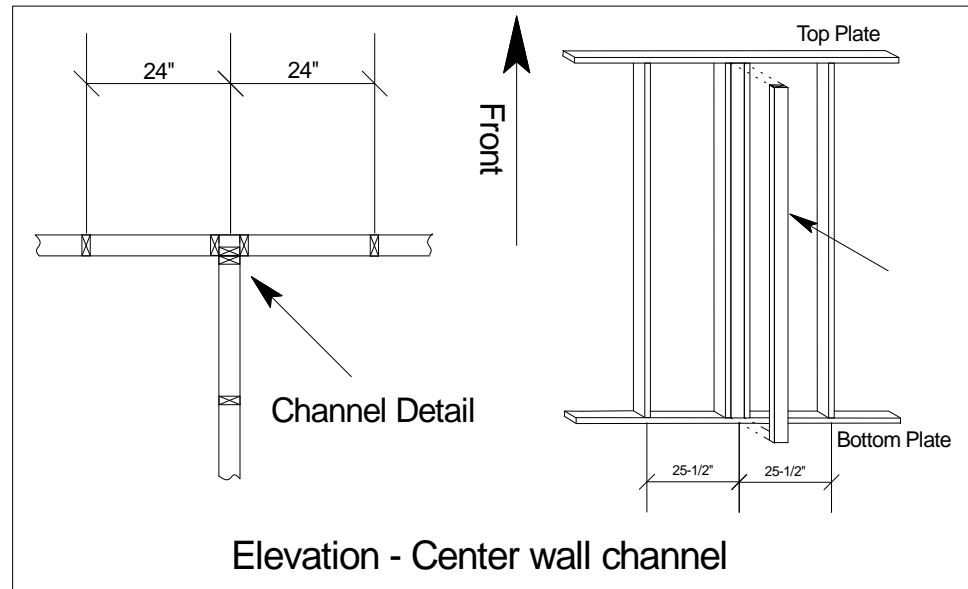
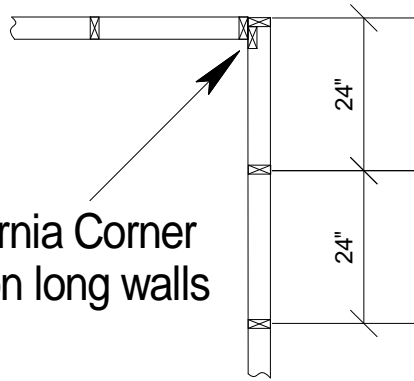


Detail 3 - Layout Lines - Short Walls Second

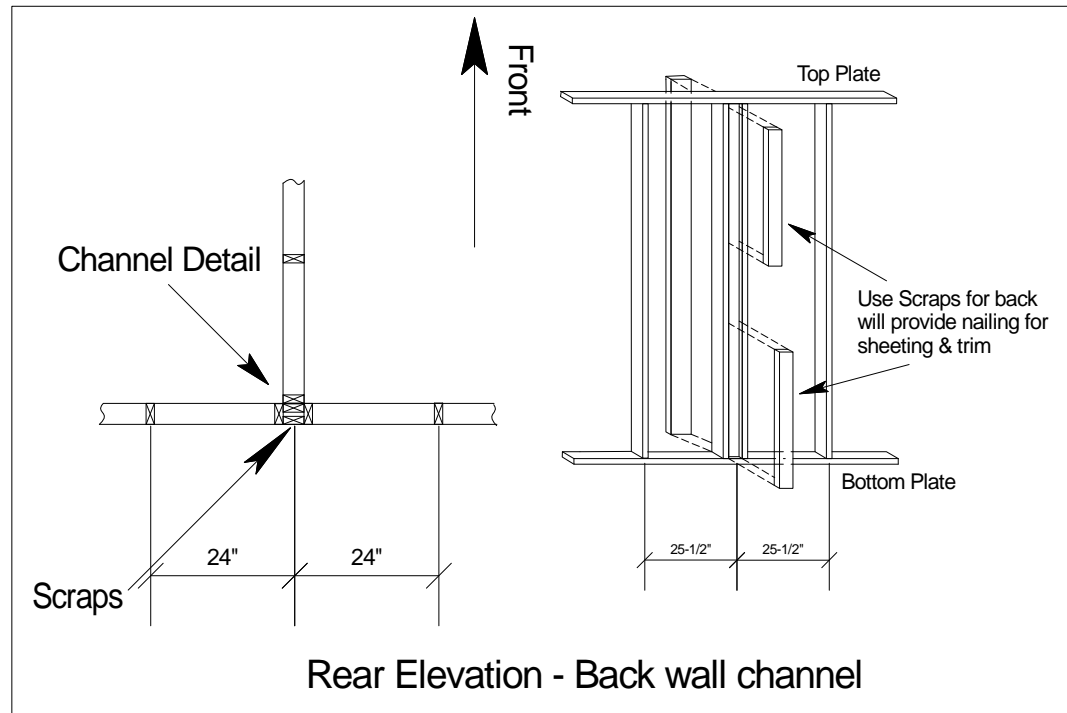


Detail 4 - Layout Lines - Short Walls Third

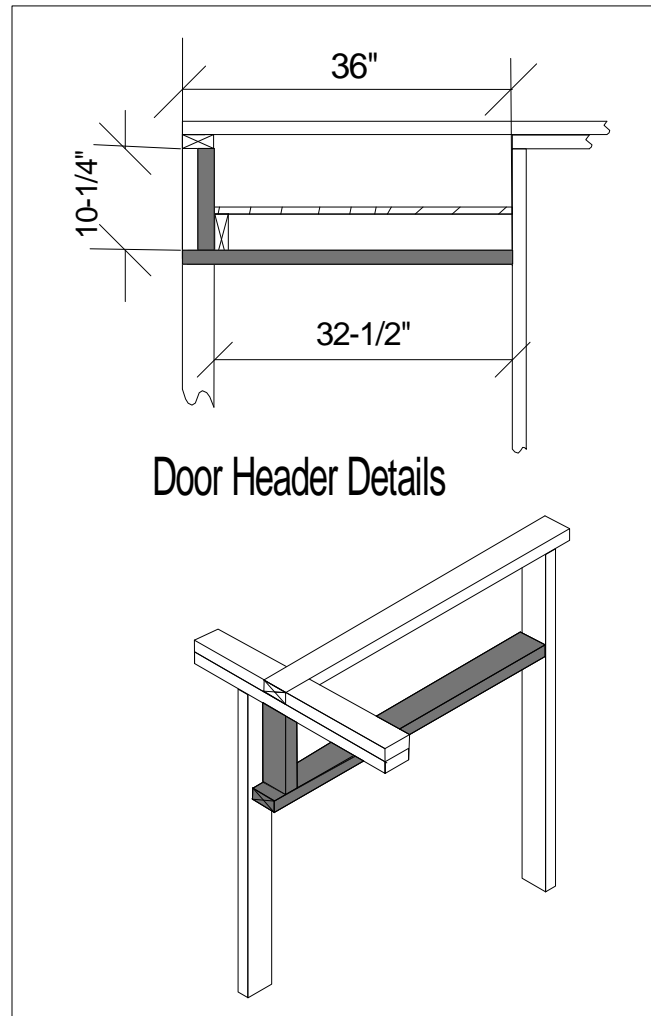
California Corner  
only on long walls



Elevation - Center wall channel



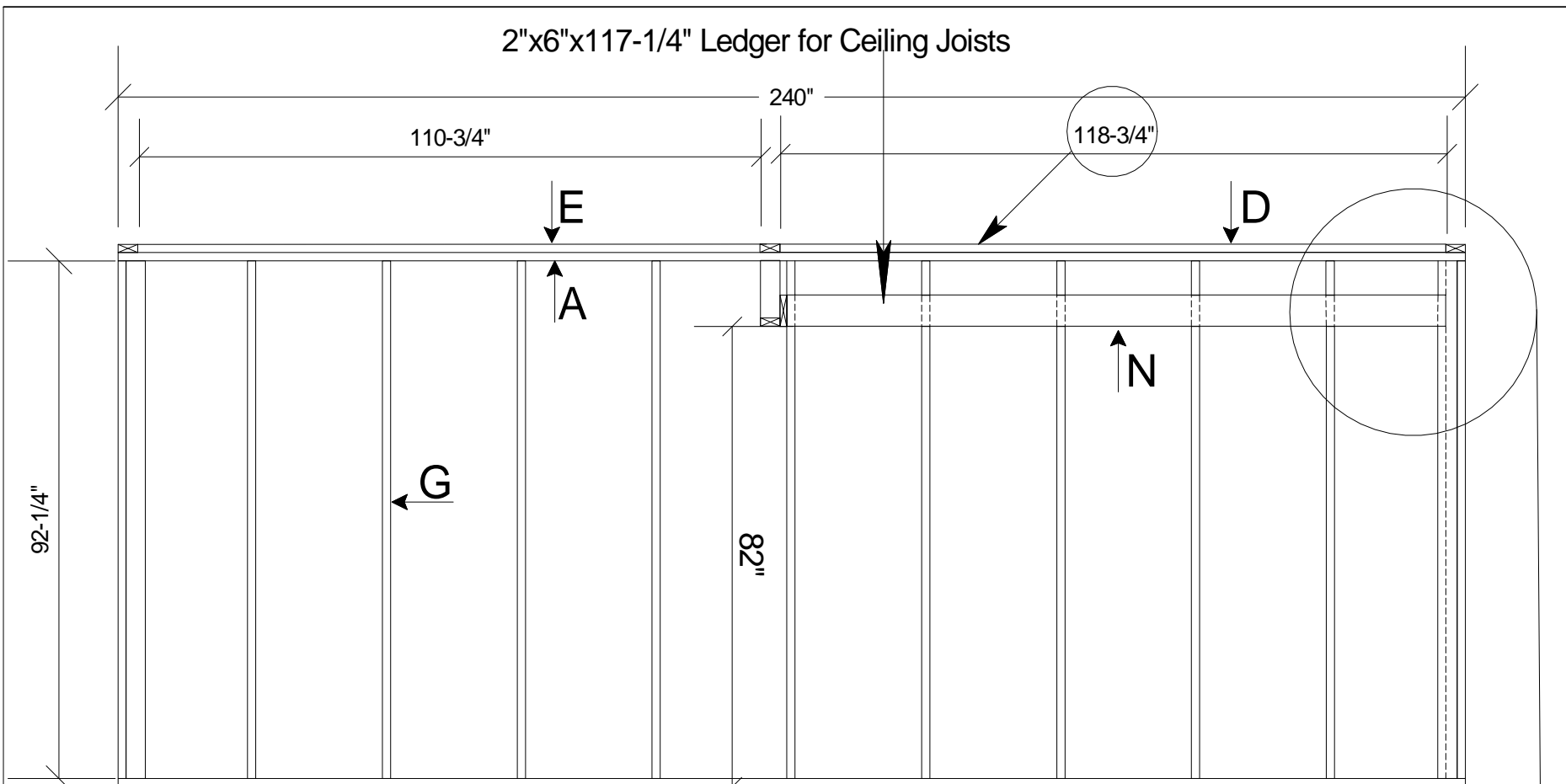
Rear Elevation - Back wall channel



Door Header Details

Detail 5 - Floor Plan - Framing Details

2"x6"x117-1/4" Ledger for Ceiling Joists



92-1/4"

110-3/4"

240"

118-3/4"

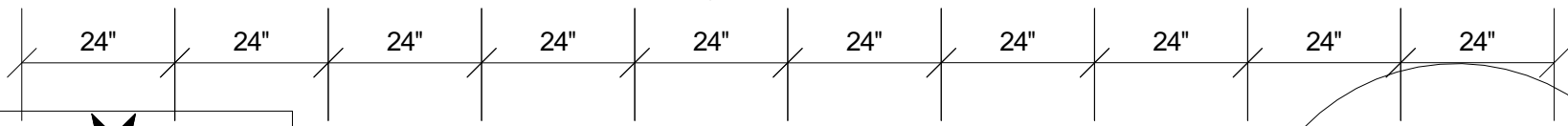
E  
A

D

G

N

82"



24"

24"

24"

24"

24"

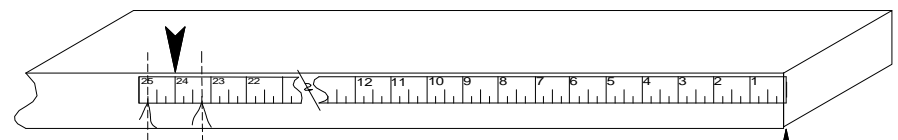
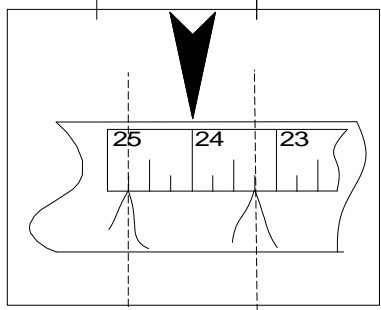
24"

24"

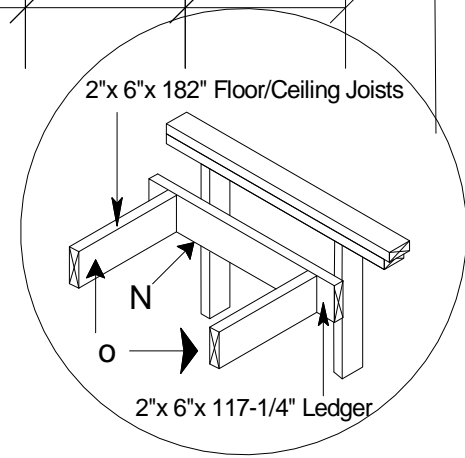
24"

24"

24"



Begin layout with measuring tape "hooked" one the end of the plate. Mark for 24" on center. Make two marks as illustrated. Center stud between points.



2"x 6"x 182" Floor/Ceiling Joists

2"x 6"x 117-1/4" Ledger

Detail 6 - Long Wall Framing Left Side

2"x6"x117-1/4" Ledger for Ceiling Joists

240"

118-3/4"

110-3/4"

82"

92-1/4"

24"

24"

24"

24"

24"

24"

24"

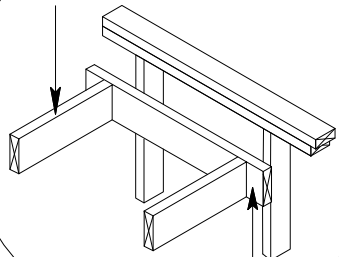
24"

24"

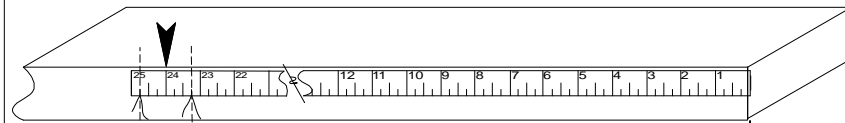
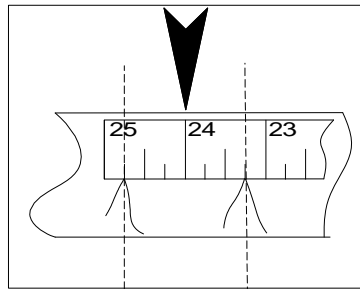
24"

24"

2"x 6"x 182" Floor/Ceiling Joists

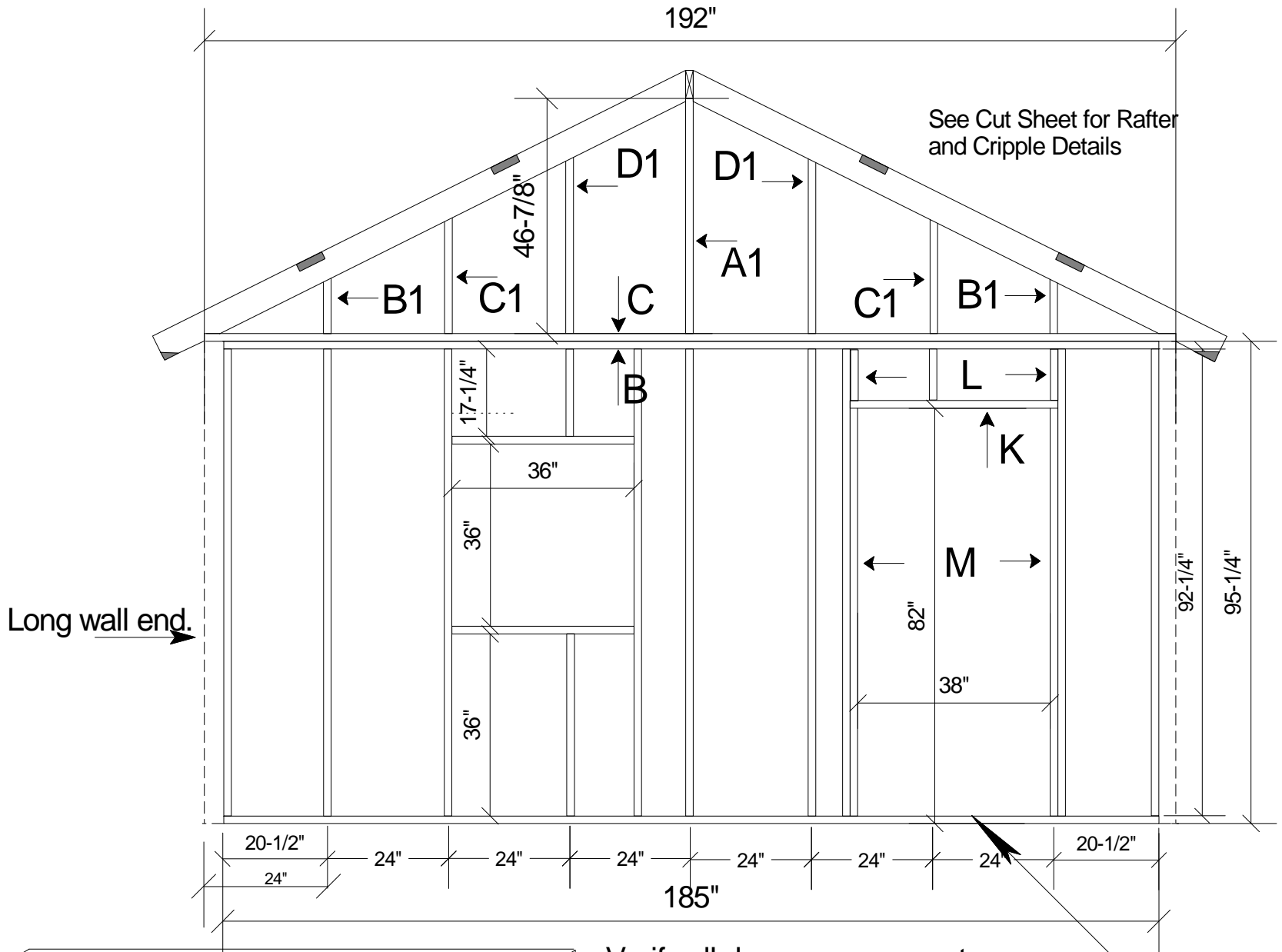


2"x 6"x 117-1/4" Ledger



Begin layout with measuring tape "hooked" one the end of the plate. Mark for 24" on center. Make two marks as illustrated. Center stud between points.

## Detail 7 - Long Wall Framing Right Side

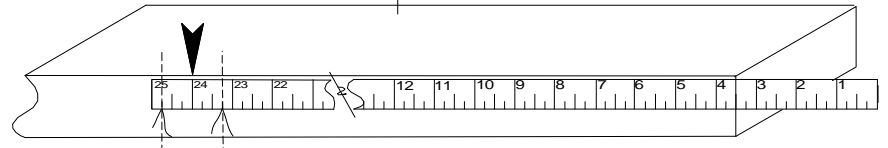


Long wall end. →

See Cut Sheet for Rafter and Cripple Details

Verify all door measurements.

Note: Watch or Anchor bolt locations indoor way.



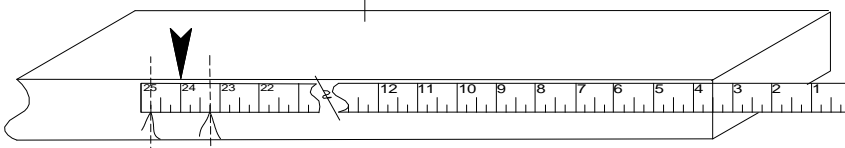
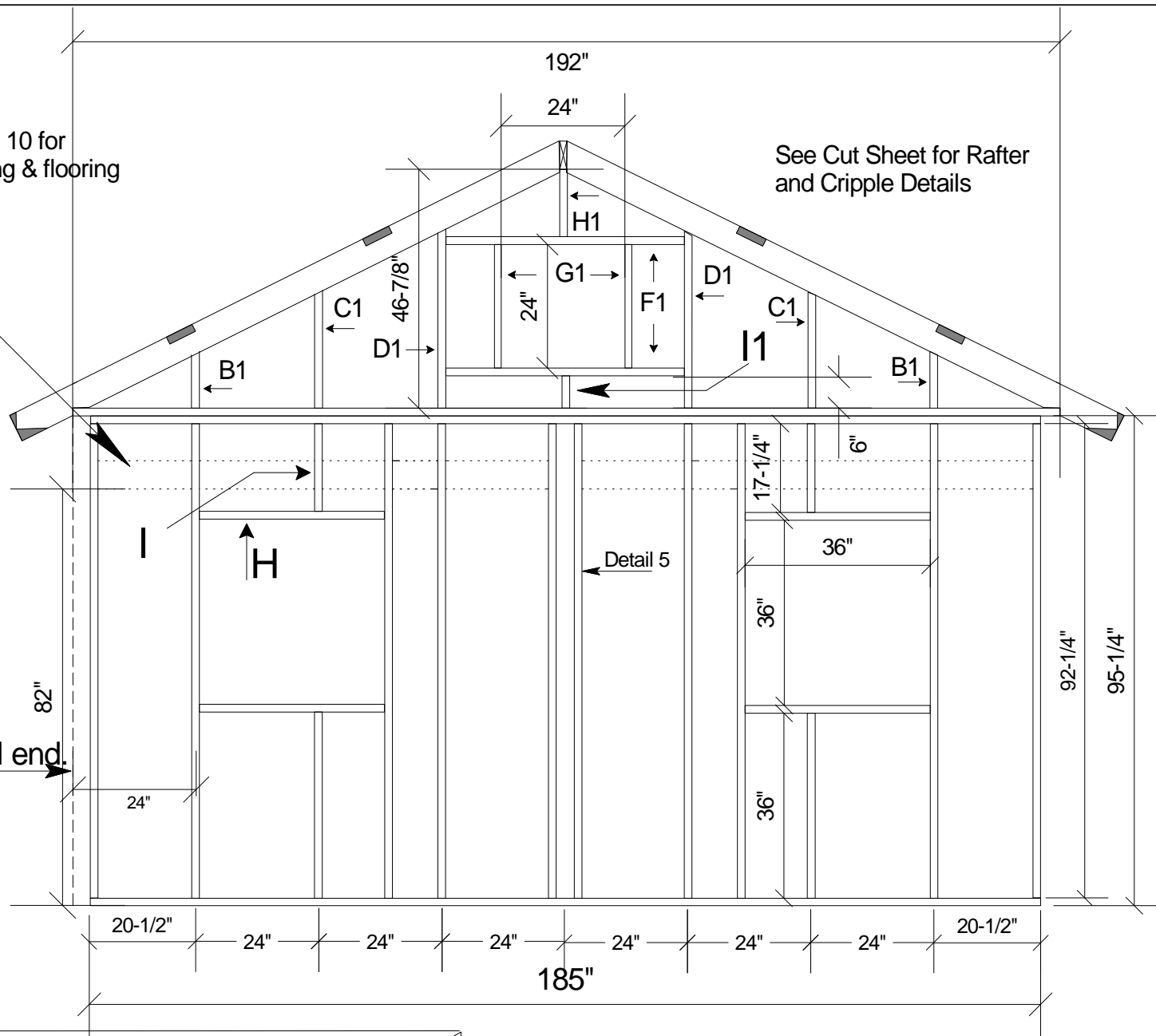
Begin layout with measuring tape **3 - 1/2" past end** of the end of the plate. Mark for 24" on center. Make two marks as illustrated. Center stud between points.

## Detail 8 - Front Wall Framing

See Detail 10 for  
Loft framing & flooring

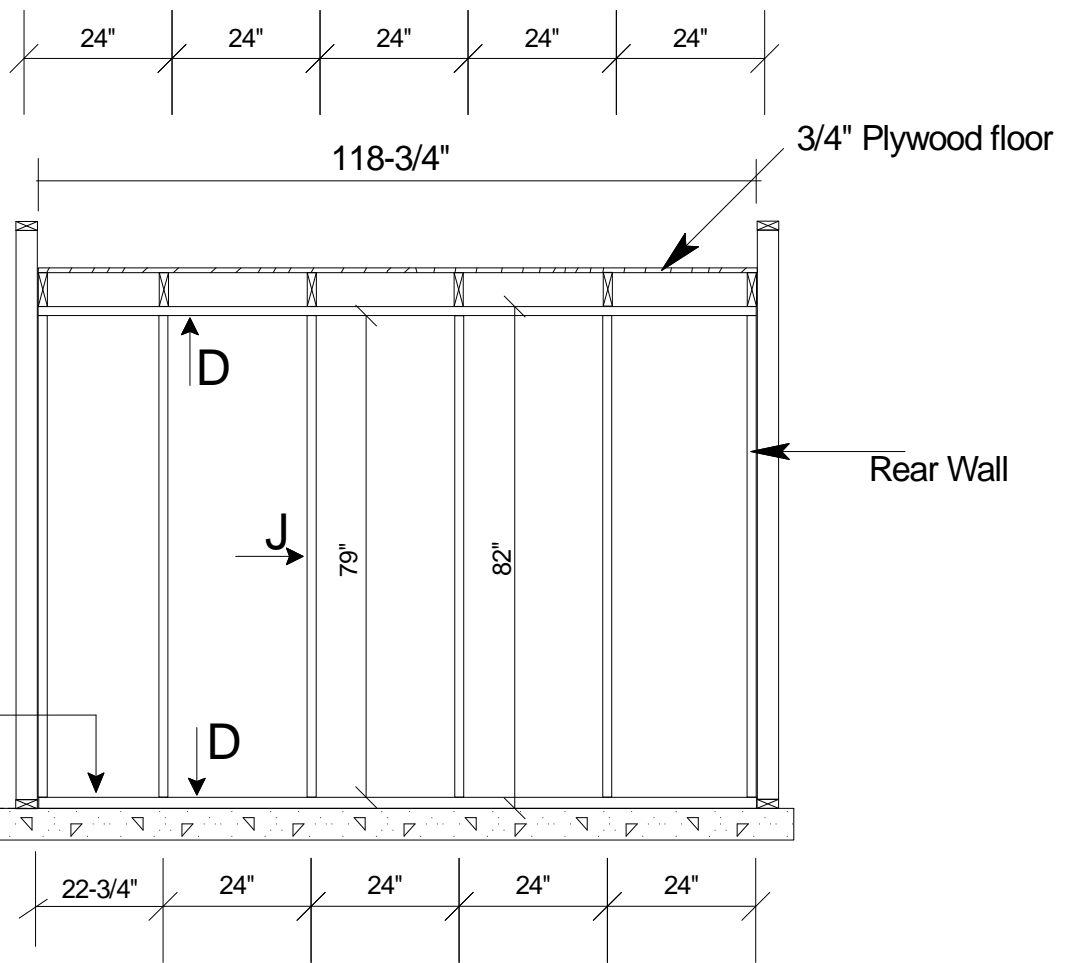
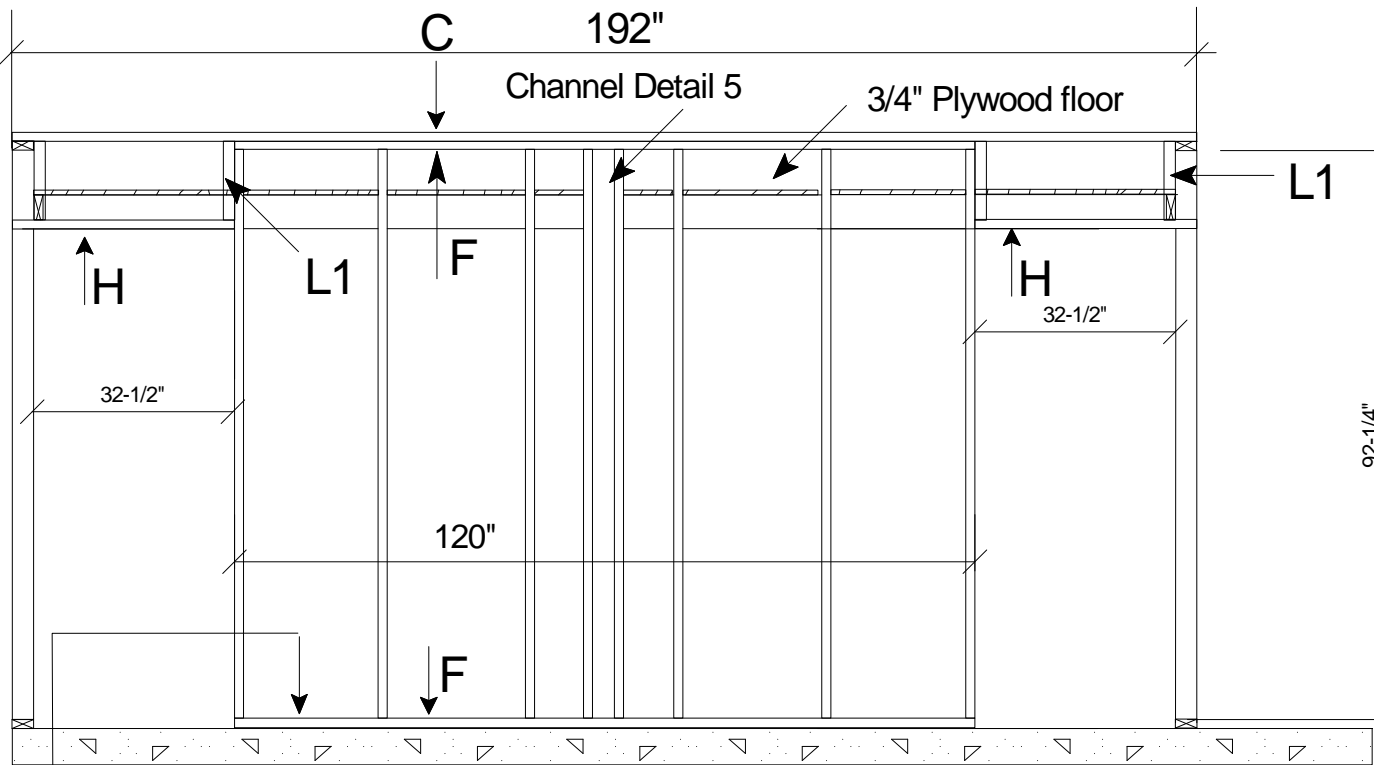
See Cut Sheet for Rafter  
and Cripple Details

Long wall end.



Begin layout with measuring tape **3-1/2" past end**  
of the end of the plate. Mark for 24" on center.  
Make two marks as illustrated. Center stud between points.

Verify all window measurements.  
**Detail 9 - Rear Wall Framing**



Detail 10 - Bedroom Wall Framing

Concrete Nail - one each bay

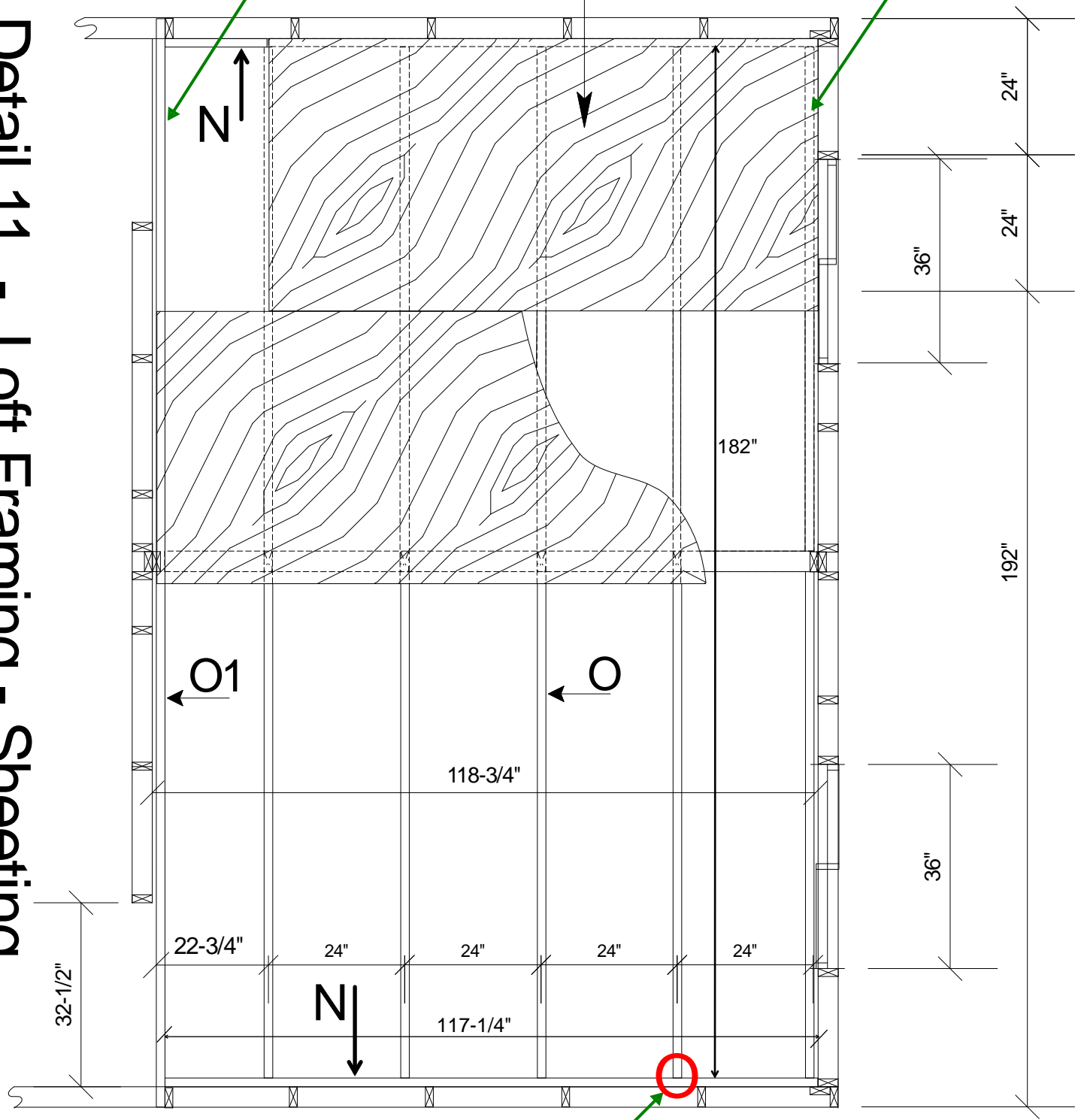


This one 2x6 attaches to the dividing wall and is 192" long (16', Item O1 on the cut list) The other 5 left floor joists are 182"

The other 5 2x6 floor joists are 182" long (Item O on the cut list) and attach to the 117-1/4" 2x6 on opposite walls as shown

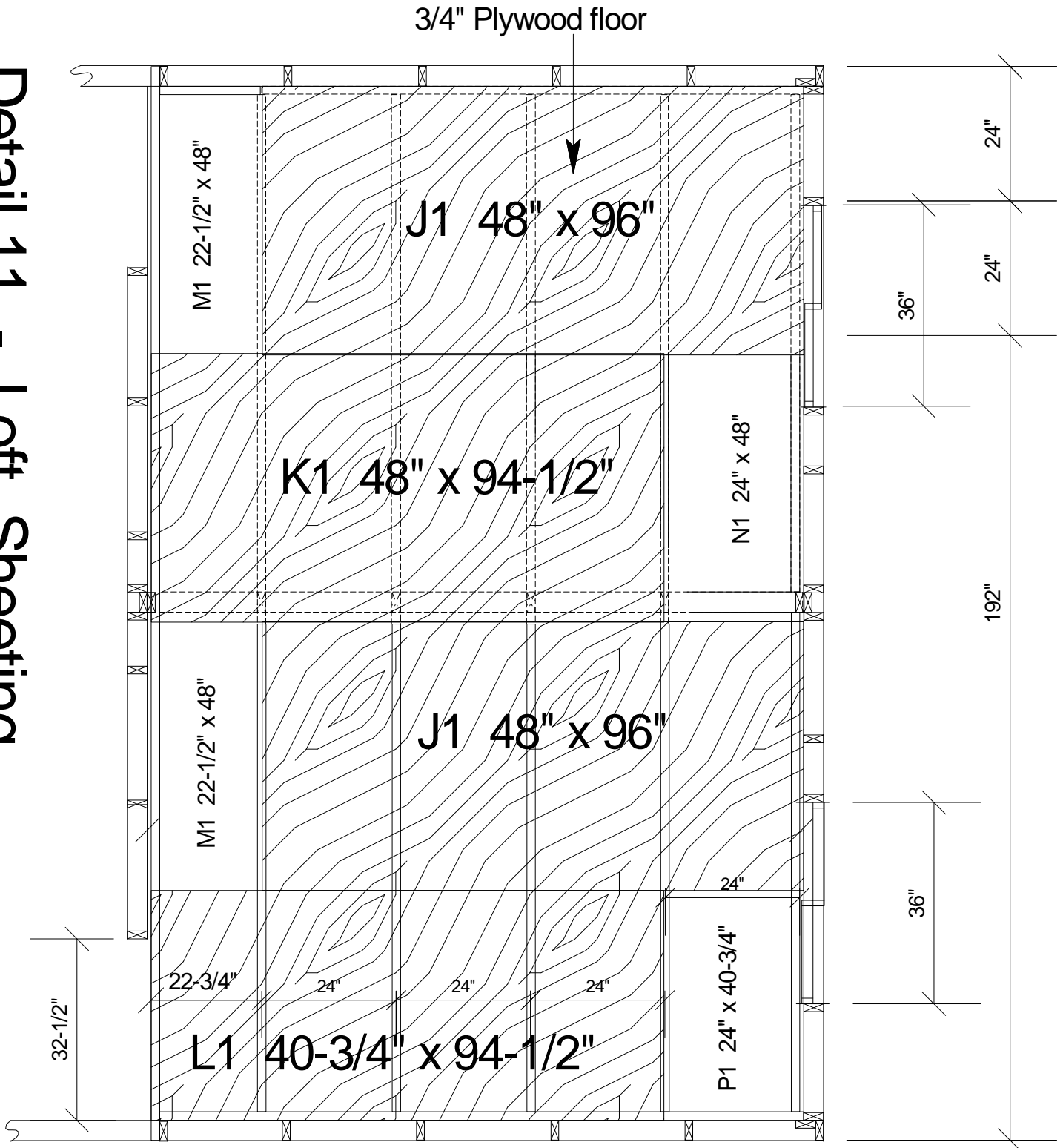
3/4" Plywood floor

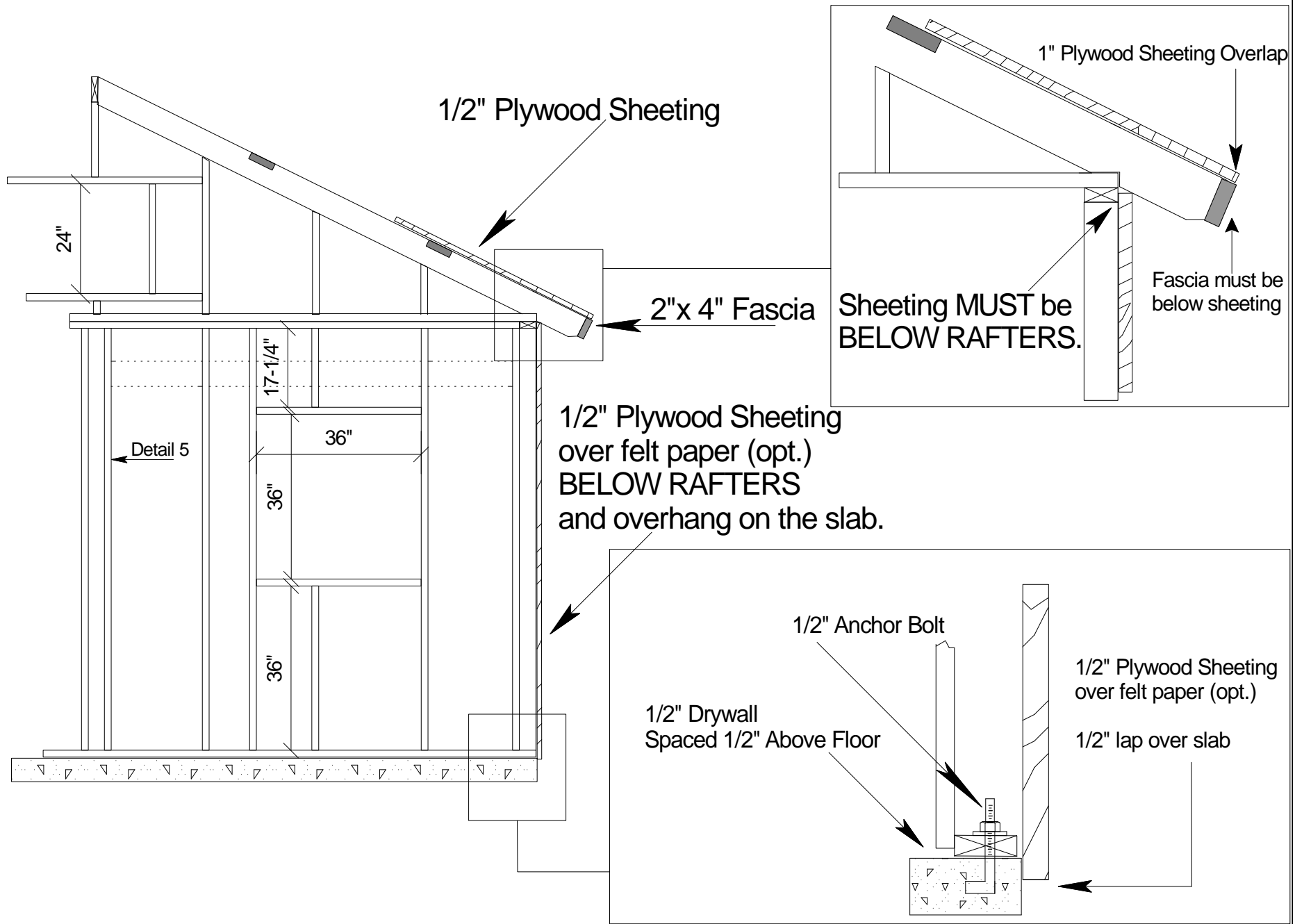
Detail 11 - Loft Framing - Sheeting



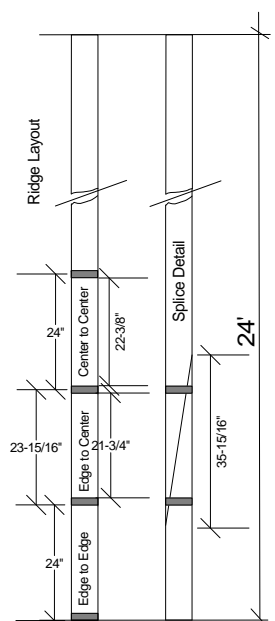
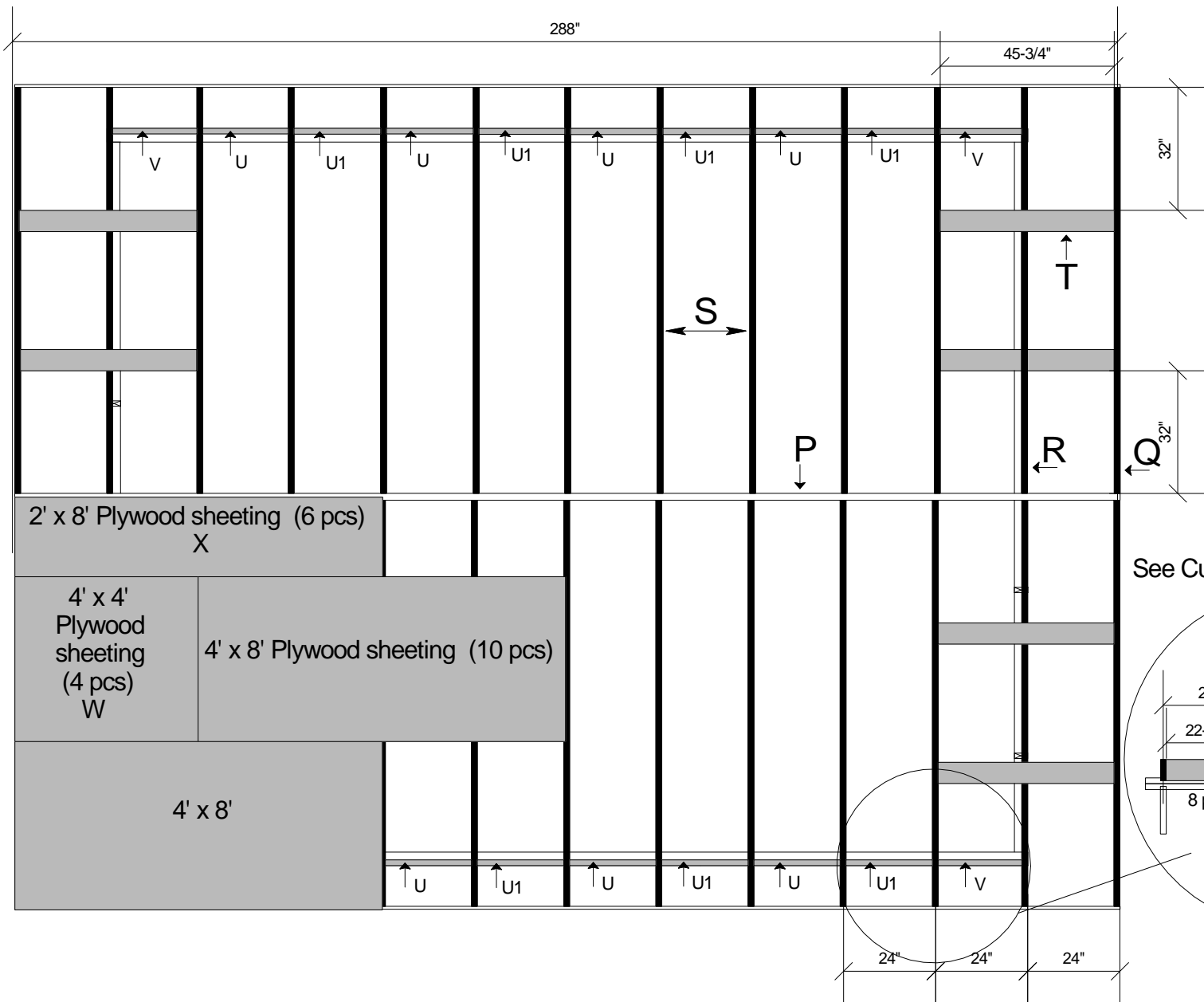
Note: Floor joists attach to 117-1/4" 2x6 (Item N on the cut list) and NOT to the exterior wall 2x4s

# Detail 11 - Loft Sheeting

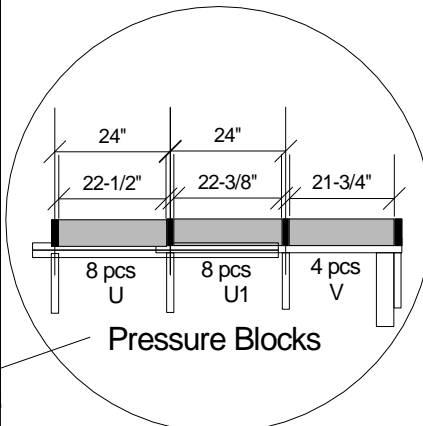




Detail 12 - Wall Section



See Cut Sheet for Rafter Details



2' x 8' Plywood sheathing (6 pcs)  
X

4' x 4' Plywood sheathing (4 pcs)  
W

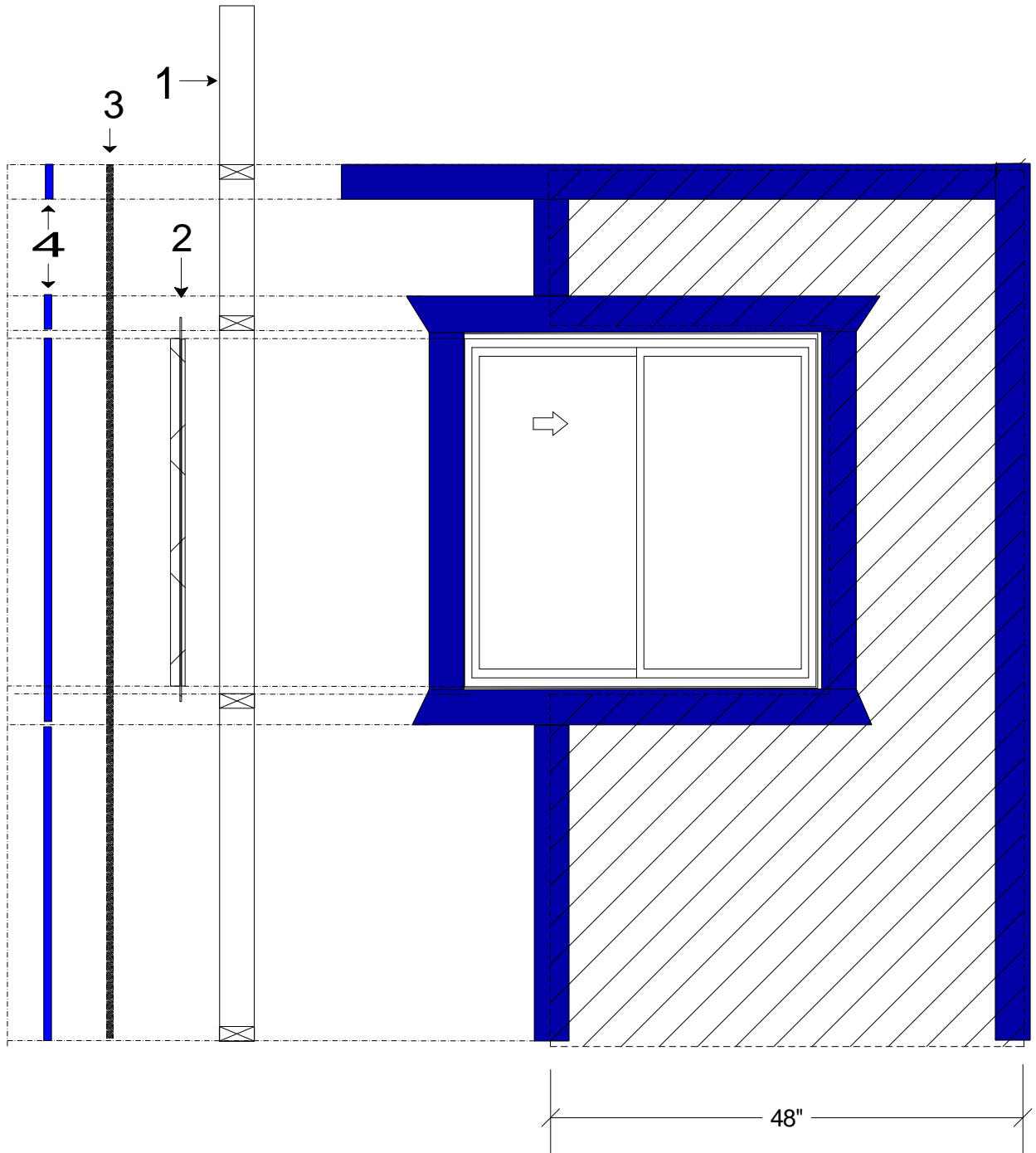
4' x 8' Plywood sheathing (10 pcs)

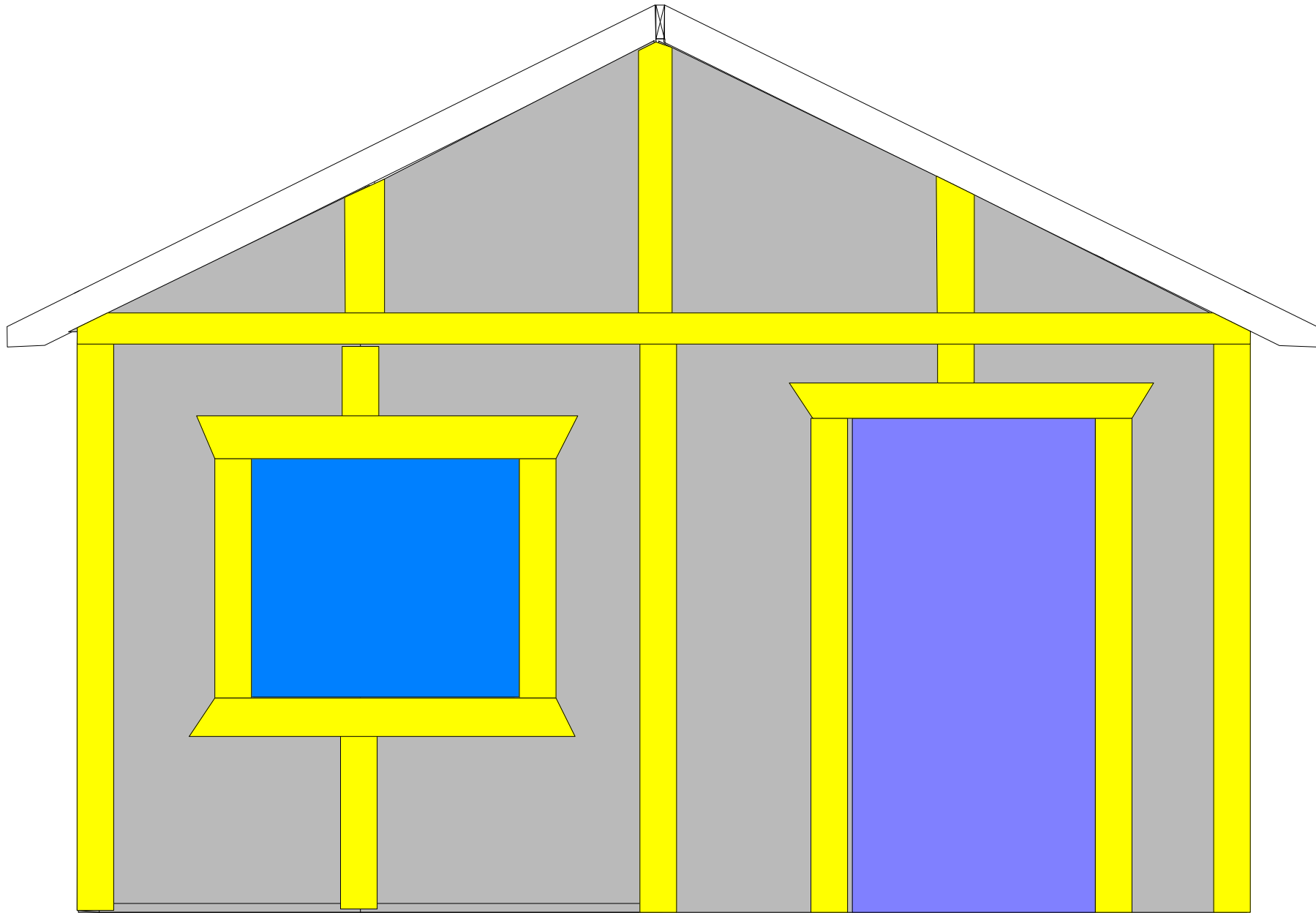
4' x 8'

Detail 13 - Roof Plan - Top View

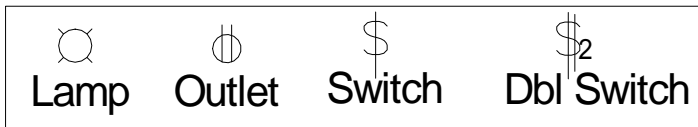
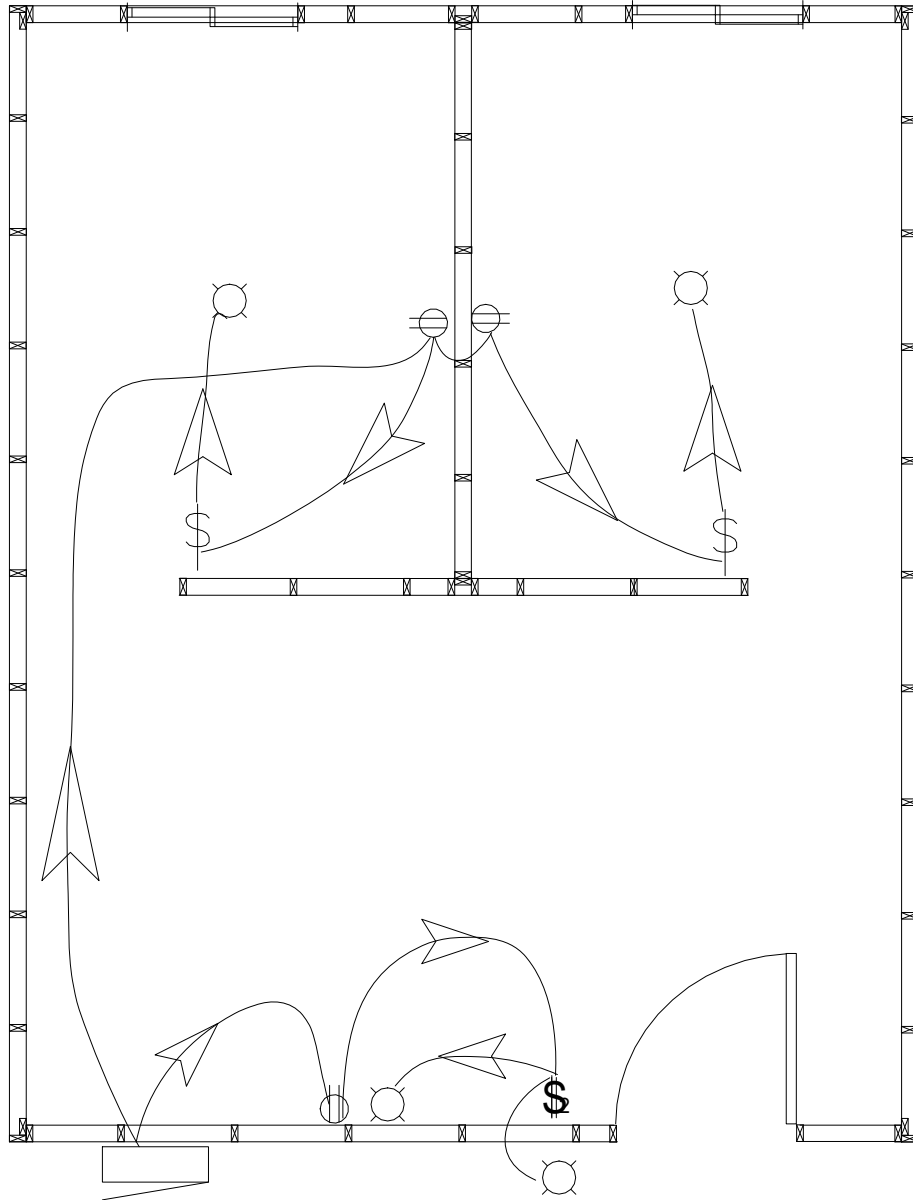
1. Framing First
2. Window Second - 1 Nail each corner
3. Plywood Third
4. Trim Last with caulking around the top and sides

Detail 14 - Window Installation Trim/Sheeting



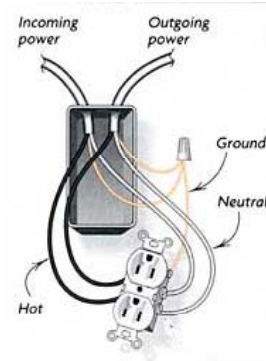


Detail 15 - Typical Trim

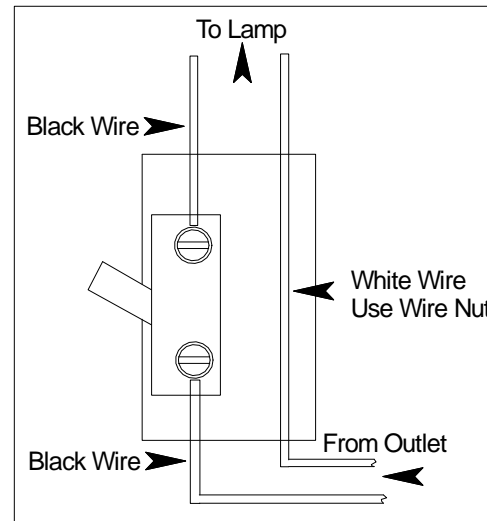


2 Circuits:  
 First one runs to the bedroom outlets then to the switches then to the lamps.

Second one runs to the living room outlet - then to the switch then to the lamps.



Install all outlet boxes 18" above floor and switch 41" above floor and 1/2" out from stud.



# Electrical Outline

